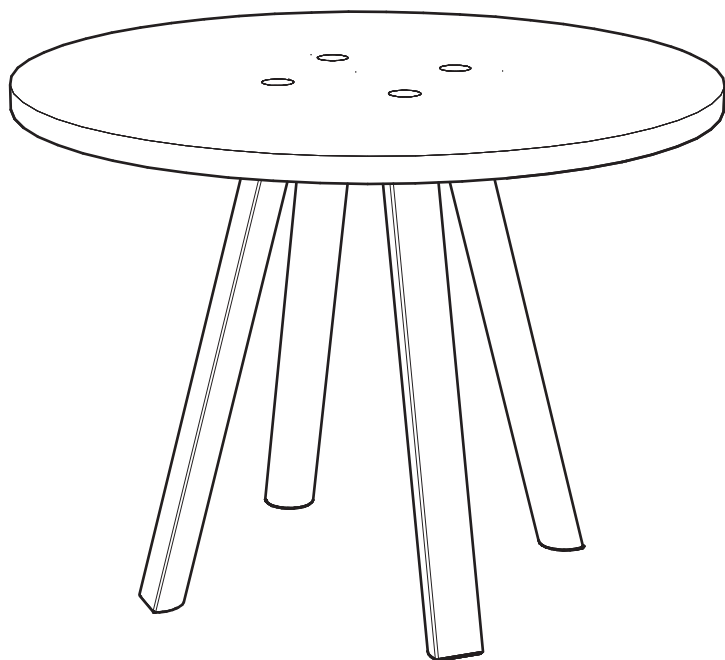
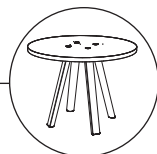


BuzziMilk Table

INSTALLATION MANUAL



BuzziMilk Table

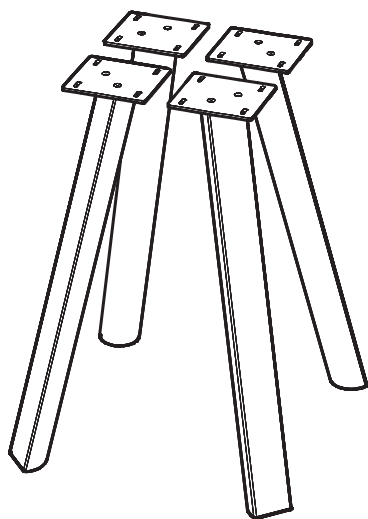
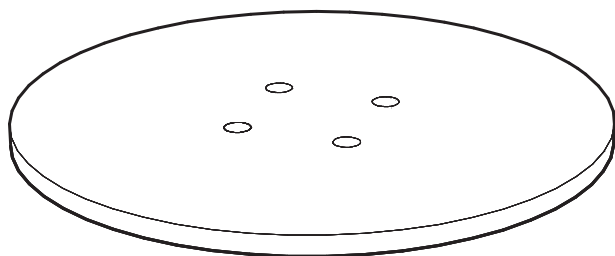


2 PERS. 

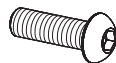
Excl.



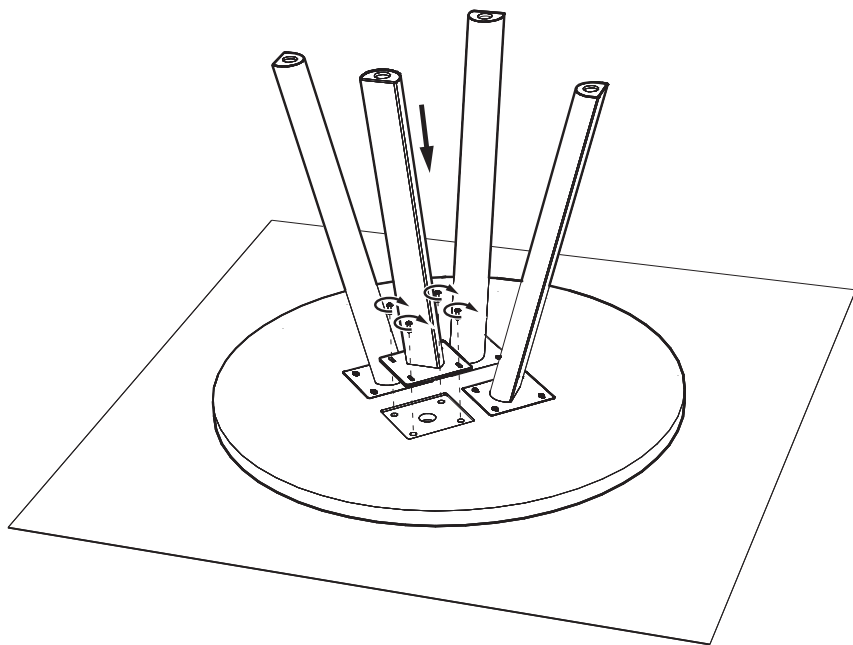
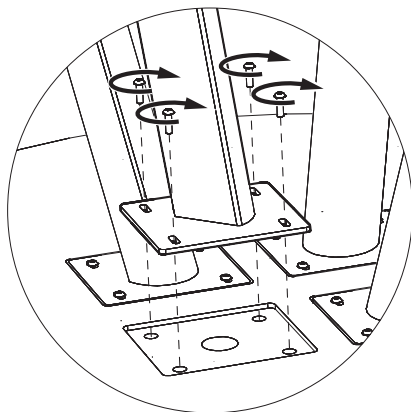
Incl.



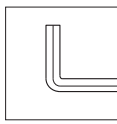
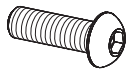
16x



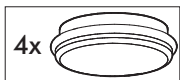
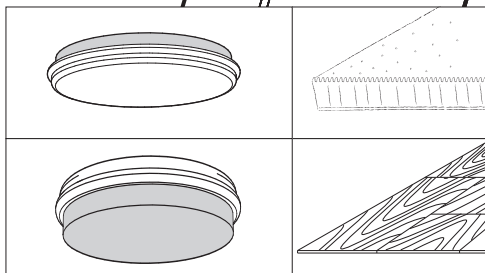
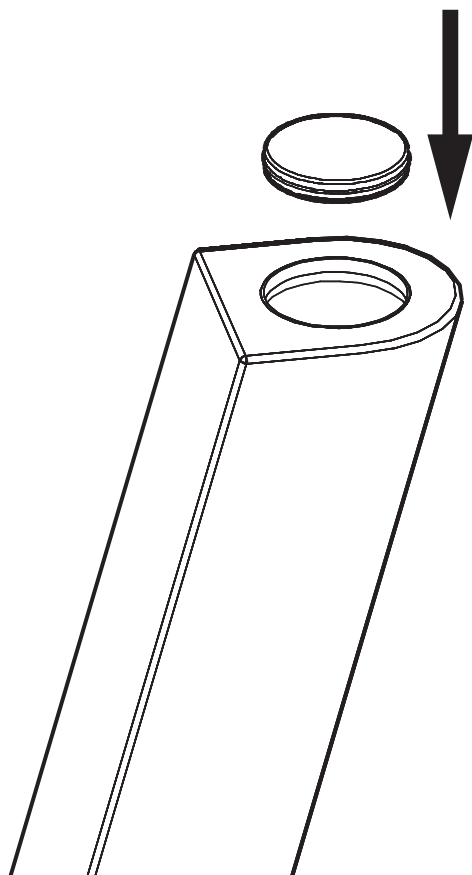
1



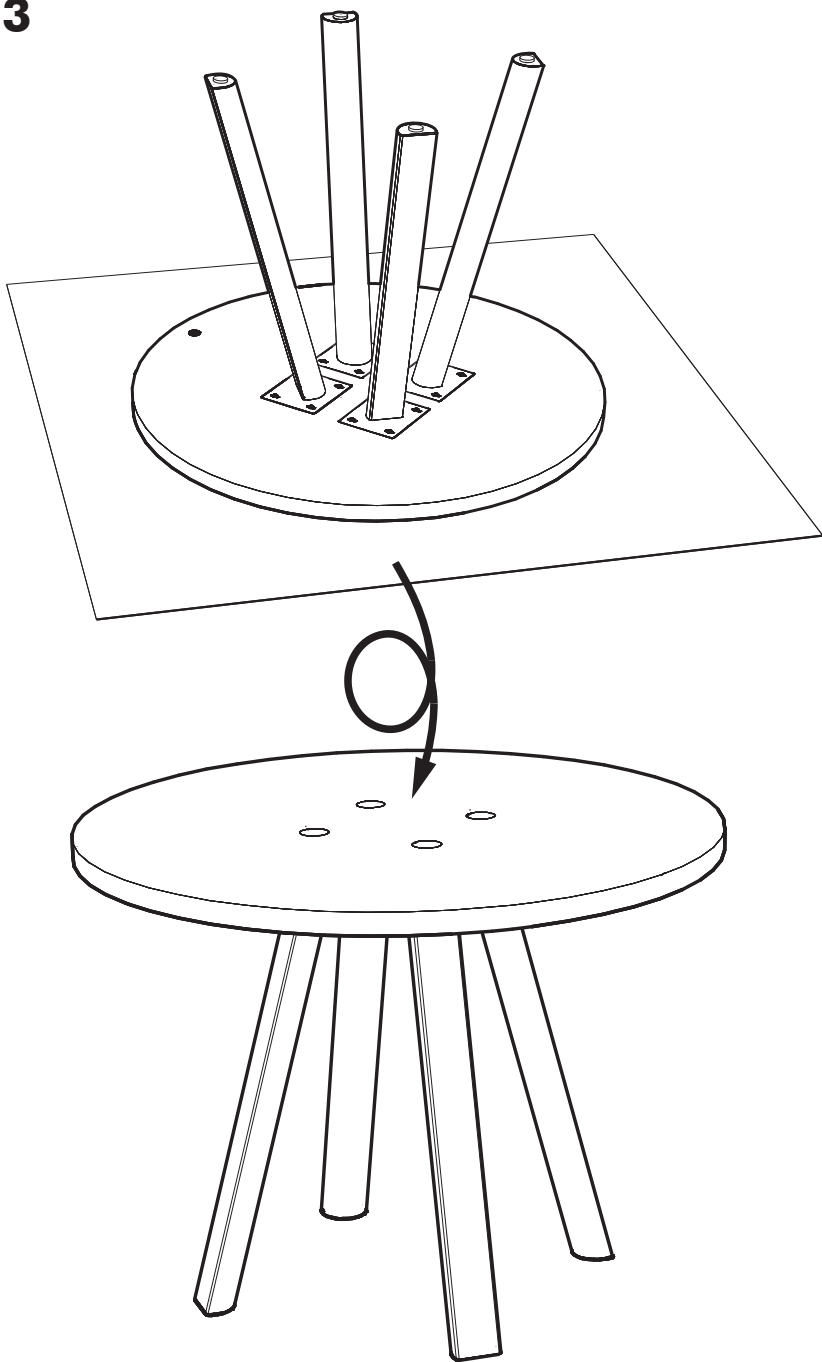
16x



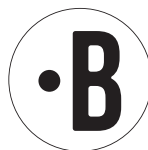
2



3



BuzziSpace
Groeningenlei 141
2550 Antwerp, Kontich
Belgium
☎ +32 (0)3 846 10 00
✉ info@buzzi.space
🌐 www.buzzi.space



Doc nr.: A-0000001806
Last update: 21/03/2017