

---

# BuzziCane

## Product Specification Sheet

---

This document contains technical information about the BuzziCane

---



[www.buzzi.space](http://www.buzzi.space)



## A soft lounge sofa on an unexpected frame

With its woven cane back, wood base, and luscious upholstery, the BuzziCane sofa brings a fresh, vintage inspired look into the contemporary workplace. This sofa mixes a firm, elevated structure with plush seat and back cushions that are perfect for relaxing. Created by Dutch designers Wiebe Boonstra and Marc van Nederpelt, BuzziCane recalls the playful aesthetic that made them famous. The informal design welcomes guests with its friendly feel. BuzziCane is ideal for hotel suites, private offices and homes. It is available as a one, two or three seater.

Design by Wiebe Boonstra & Marc van Nederpelt

---

## General

 DO 101 | DO 102 | DO 103

Frame in Ash Natural or Ash Black Stained

Webbing in Natural Cane

Filling cushions: 50% latex-sticks

 50% Comforell (polyester fiber balls)

All cushions finishing with 4 mm cord piping

Cushions upholstered in Fabric, Trevira CS+ | CS, Revive 1, Clara 2, Velvet, Hero, Tonus 4, Memory 2

 Dry use

---

## Certifications

Filling cushions Seat & Back: CAL TB-117 (2013, Sec. 3)

---

## Content

Configurations	3
Fabrics	4
Finishes	7
Dimensions	8

# Configurations

---

## DO 101

Frame in Ash Natural or Ash Black Stained

Webbing in Natural Cane

Filling cushions: 50% latex-sticks

50% Comforell (polyester fiber balls)



All cushions finishing with 4 mm cord piping

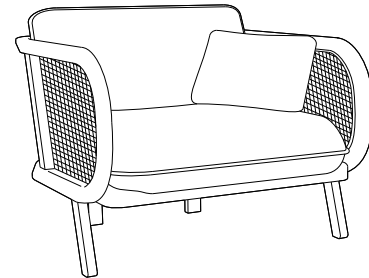
Cushions upholstered in Fabric, Trevira CS+ | CS,

Revive 1, Clara 2, Remix 3, Velvet, Hero,

Tonus 4, Memory 2



W 89 cm	H 65 cm	D 91 cm
W 35.04"	H 25.59"	D 35.83"



## DO 102

Frame in Ash Natural or Ash Black Stained

Webbing in Natural Cane

Filling cushions: 50% latex-sticks

50% Comforell (polyester fiber balls)



All cushions finishing with 4 mm cord piping

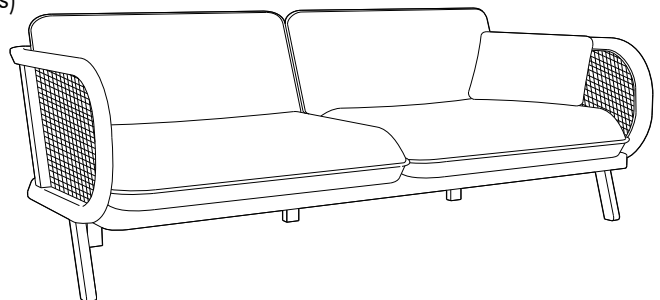
Cushions upholstered in Fabric, Trevira CS+ | CS,

Revive 1, Clara 2, Remix 3, Velvet, Hero, Tonus 4,

Memory 2



W 199 cm	H 65 cm	D 91 cm
W 78.35"	H 25.59"	D 35.83"



## DO 103

Frame in Ash Natural or Ash Black Stained

Webbing in Natural Cane

Filling cushions: 50% latex-sticks

50% Comforell (polyester fiber balls)



All cushions finishing with 4 mm cord piping

Cushions upholstered in Fabric,

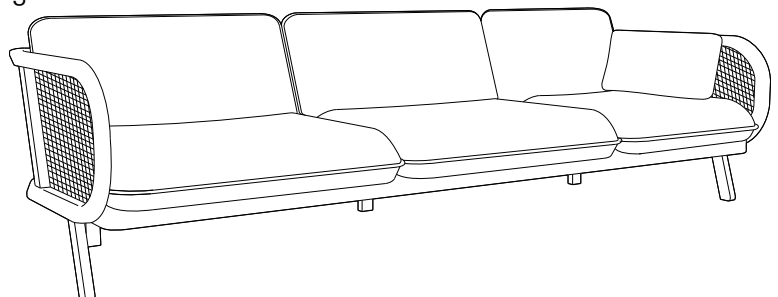
Trevira CS+ | CS, Revive 1, Clara 2,

Remix 3, Velvet, Hero, Tonus 4,

Memory 2

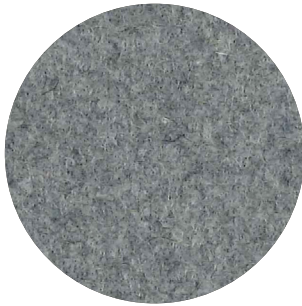


W 268 cm	H 65 cm	D 91 cm
W 105.51"	H 25.59"	D 35.83"



# Fabrics

## Fabric



**Category A**

**Composition** 70% Recycled Wool, 25% Recycled Polyacryl,  
5% Recycled Other Fabrics

**Weight** 405 g/m<sup>2</sup> | 11.94 oz/yd<sup>2</sup>

**Abrasion resistance** 40.000 Martindale, 50,000 Wyzenbeek

**Flammability** EU: EN 1021.1/2006 | BS EN 1021.1/2006 (cigarette).  
EN 1021.2/2006 | BS EN 1021.2/2006 (match)  
USA: CAL TB 117 | ASTM E84 CLASS A

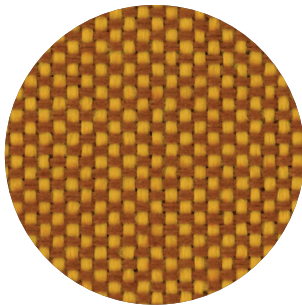
**Fastness to light** EU: 4 | USA 4

**Fastness to rubbing** EU: Wet 3-4 | Dry 4-5

**Fastness to crocking** USA: Wet 5 | Dry 5



## Trevira CS+ | CS



**Category A**

**Weight** 420 g/m<sup>2</sup> | 12.39 oz/yd<sup>2</sup>

**Composition** 100% Polyester, Trevira CS

**Abrasion resistance** 100.000 Martindale, 90,000 Wyzenbeek

**Flammability** BS 5852 part II: CRIB 5 | BS 7176 Medium Hazard  
USA: CAL TB 117 | M1 | B1 | EN 1021/1-2 | C1 |  
IMO Res. A652 (16)

**Fastness to light** EU: 6 | USA 5

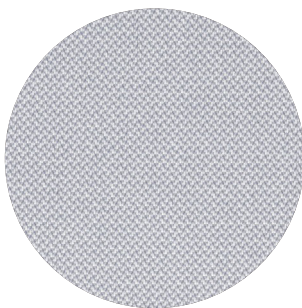
**Fastness to rubbing** EU: Wet 4-5 | Dry 4-5

**Fastness to crocking** USA: Wet 5 | Dry 5



## Revive 1

kvadrat



**Category A**

**Composition** 100% recycled polyester FR

**Weight** 430 g/lin.m

**Abrasion resistance** 60.000 Martindale rubs, EN ISO 12947

**Flammability** EN 1021-1/2 | DIN 4102 B1 | Önorm B1/Q1  
UNI 9175 1IM | US Cal. Tech. Bull. 117  
IMO A.652 (16)

**Fastness to light** Note 5-7, ISO 105-B02

**Fastness to rubbing** (ISO) dry 5, wet 4-5

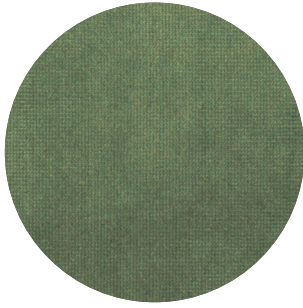
**Pilling** Note 4-5, EN ISO 12945





---

## Velvet

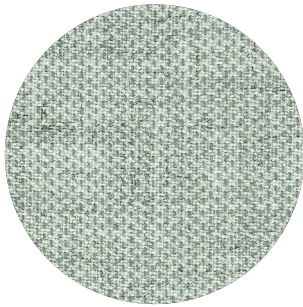


**Category** B  
**Composition** 100% PES  
**Weight** 375 g/m<sup>2</sup> | 11.06 oz/yd<sup>2</sup>  
**Abrasion resistance** > 100.000 Martindale  
**Fastness to light** EU: 4-5  
**Fastness to rubbing** EU: Wet 4 | Dry 4-5  
**Pilling** EU: 4-5

---

## Clara 2

kvadrat



**Category** B  
**Composition** 92% new wool, 8% nylon  
**Weight** 400 g/lin.m  
**Abrasion resistance** 80.000 Martindale rubs, EN ISO 12947  
**Flammability** EN 1021-1/2 | BS 5852, ignition source 2-3 | DIN 4102 B2  
NF D 60 013 | UNI 9175 1IM | US Cal. Tech. Bull. 117, Sec. E  
NFPA 260 | IMO A.652(16)  
**Fastness to light** Note 5-7, ISO 105-B02  
**Fastness to rubbing** (ISO) dry 4-5, wet 4  
**Pilling** Note 4, EN ISO 12945



---

## Remix 3

kvadrat

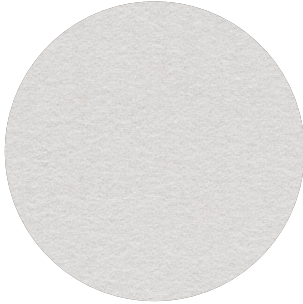


**Category** B  
**Composition** 90% new wool, 10% nylon  
**Weight** 415 g/lin.m  
**Abrasion resistance** 100.000 Martindale rubs, EN ISO 12947  
**Flammability** EN 1021-1/2 | BS 5852 part 1  
Önorm B1/Q1 | NF D 60 013 | UNI 9175, 1IM  
AS/NZS 1530.3 | Cal. Tech. Bull. 117-2013  
NFPA 260 | IMO FTP Code 2010:Part 8  
**Fastness to light** Note 5-7, ISO 105-B02  
**Fastness to rubbing** (ISO) dry 4-5, wet 4  
**Pilling** Note 4, EN ISO 12945



## Hero

kvadrat



**Category C**

**Composition** 96% new wool, 4% nylon

**Weight** 580 g/lin.m

**Abrasion resistance** 45.000 Martindale rubs, EN ISO 12947

**Flammability** EN 1021-1/2 | DIN 4102 B2 | NF D 60 013  
UNI 9175 11M | US Cal. Bull. 117-2013 | NFPA 260  
IMO A.652 (16)

**Fastness to light** Note 5-6, ISO 105-B02

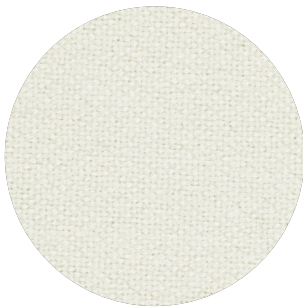
**Fastness to rubbing** (ISO) dry 4-5, wet 4-5

**Pilling** Note 3-4, EN ISO 12945



## Tonus 4

kvadrat



**Category D**

**Composition** 90% new wool, 10% Helanca

**Weight** 665 g/lin.m

**Abrasion resistance** 100.000 Martindale rubs, EN ISO 12947

**Flammability** EN 1021-1/2 | BS 5852 part 1 | DIN 4102 B2  
Önorm B1/Q1 | NF D 60 013 | UNI 9175 11M  
US Cal. Bull. 117-2013 | NFPA 260 | IMO A.652 (16)

**Fastness to light** Note 5-7, ISO 105-B02

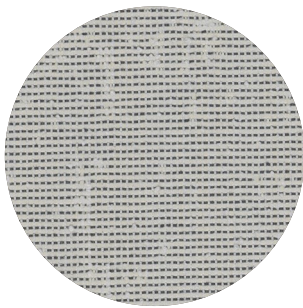
**Fastness to rubbing** (ISO) dry 3-5, wet 3-5

**Pilling** Note 3, EN ISO 12945



## Memory 2

kvadrat



**Category E**

**Composition** 100% Trevira CS

**Weight** 700 g/lin.m

**Abrasion resistance**

35.000 rubs acc. to the Martindale method, EN ISO 12947

**Flammability** EN 1021-1/2 | DIN 4102 B1 | Önorm B1/Q1  
NF D 60 013 | NF P 92 507 M1 | UNI 9175 11M  
UNI 9177 classe 1 | US Cal. Tech. Bull. 117  
IMO A.652 (16)

**Fastness to light** Note 5-8, ISO 105-B02

**Fastness to rubbing** (ISO) dry 4-5, wet 4-5

**Pilling** Note 4, EN ISO 12945



# Finishes

---

## Frame



Ash Natural

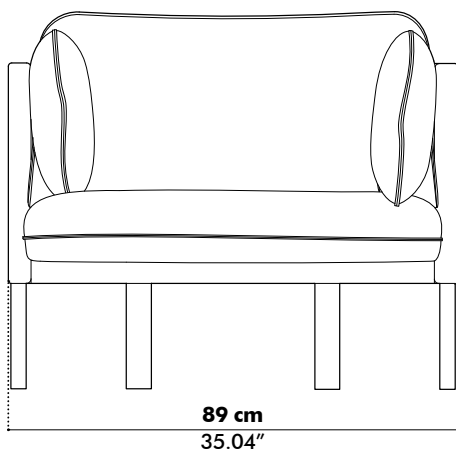
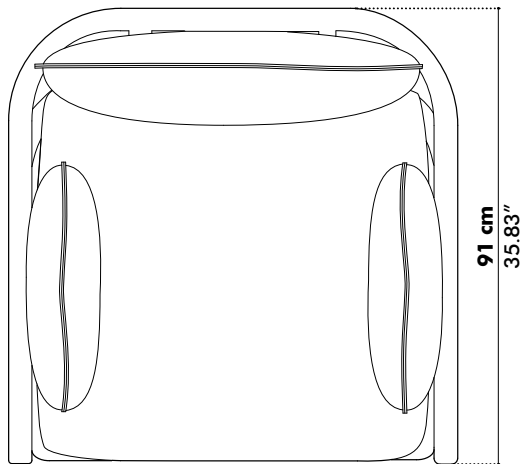
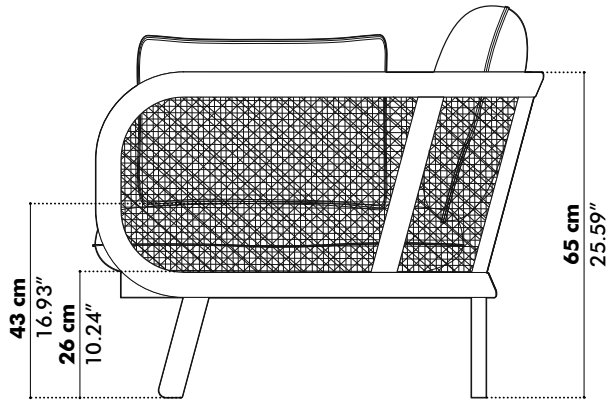


Ash Black Stained

# Dimensions

---

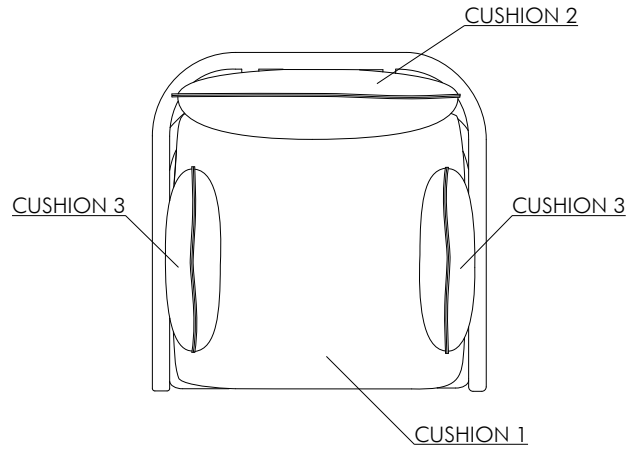
## DO 101





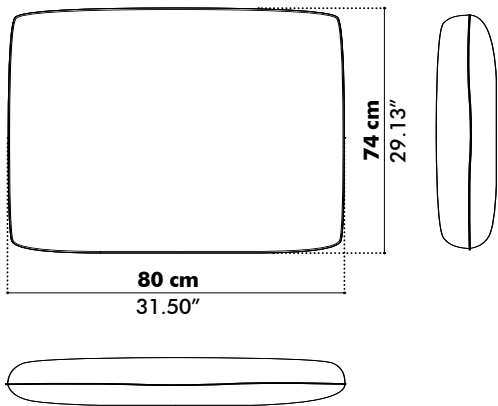
---

# DO 101 Cushions



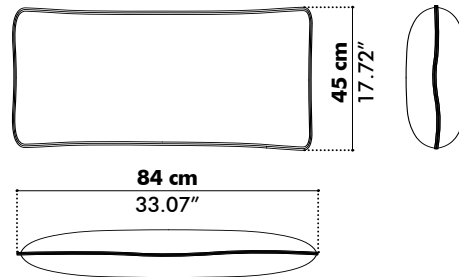
---

## CUSHION 1



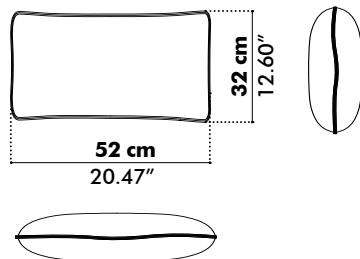
---

## CUSHION 2



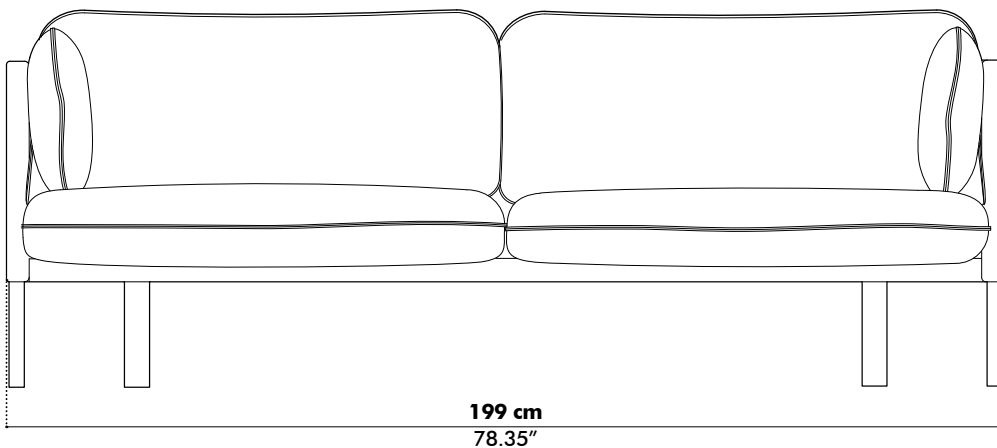
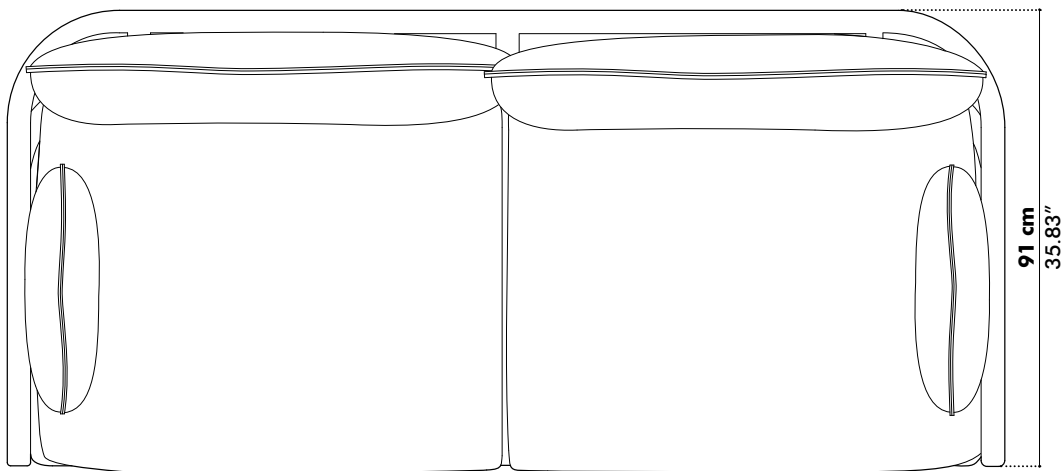
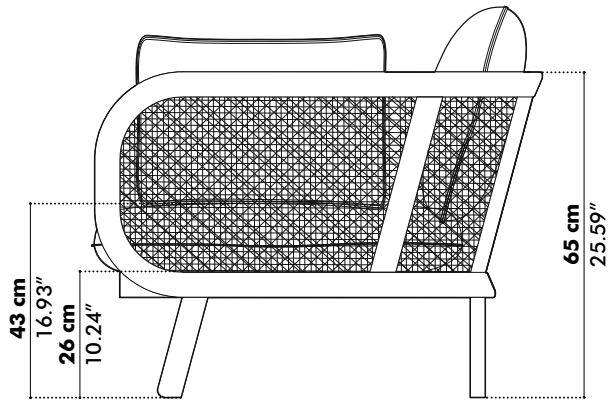
---

## CUSHION 3 (Optional)

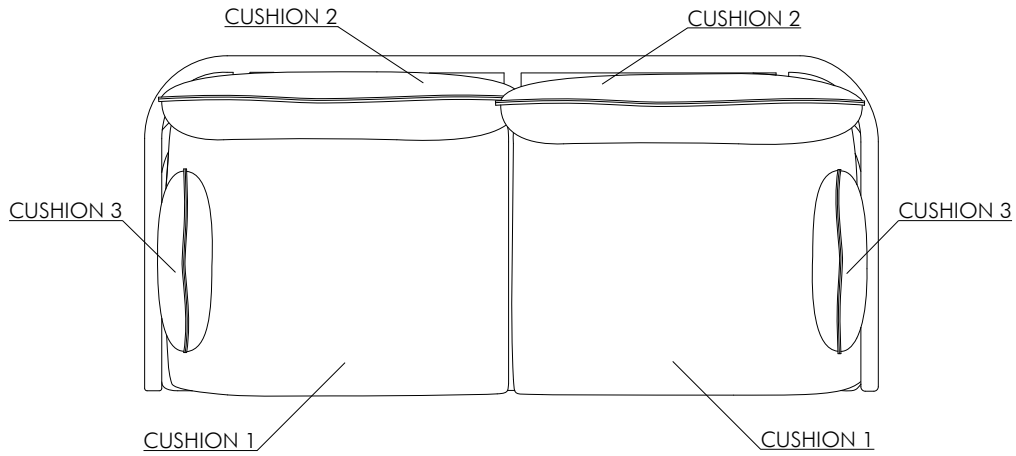


---

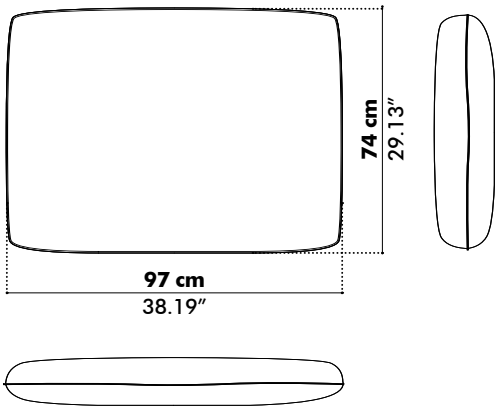
# DO 102



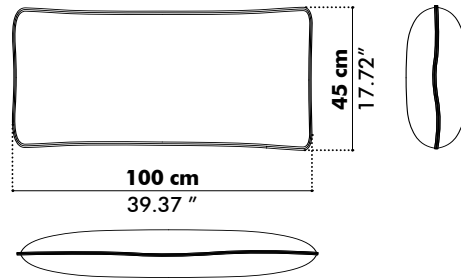
# DO 102 Cushions



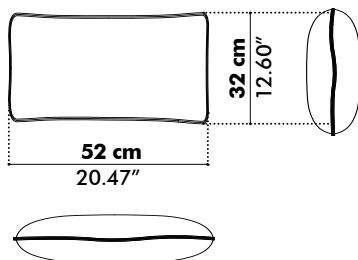
## CUSHION 1



## CUSHION 2

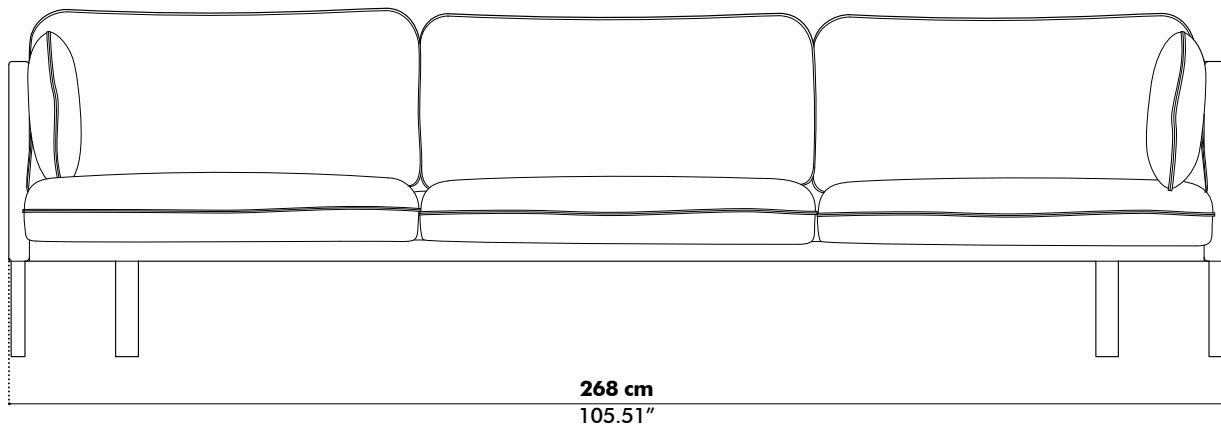
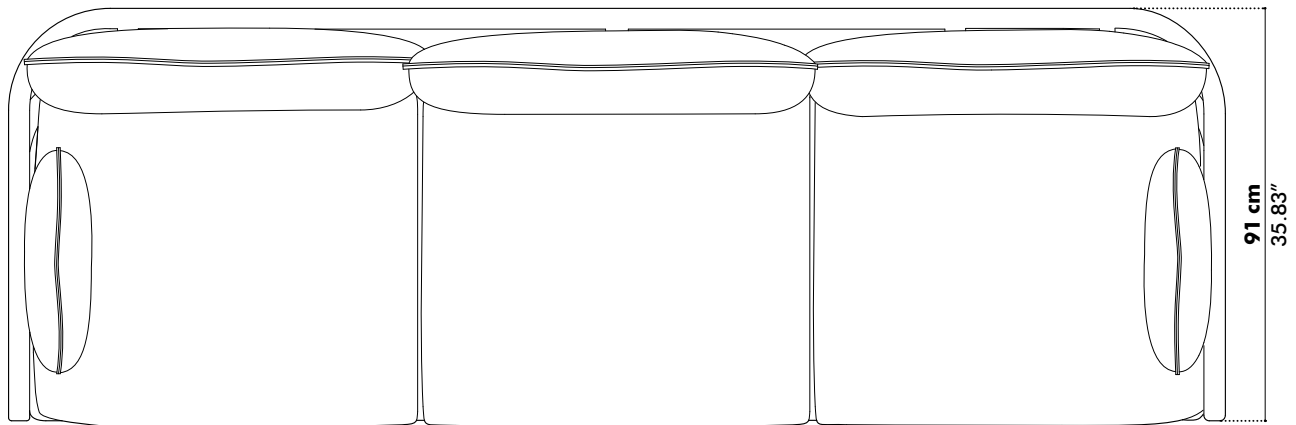
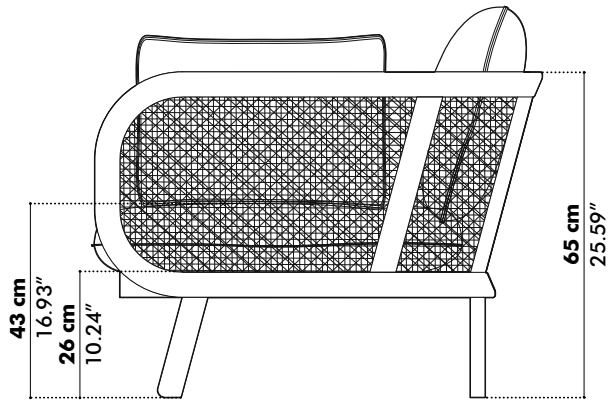


## CUSHION 3 (Optional)

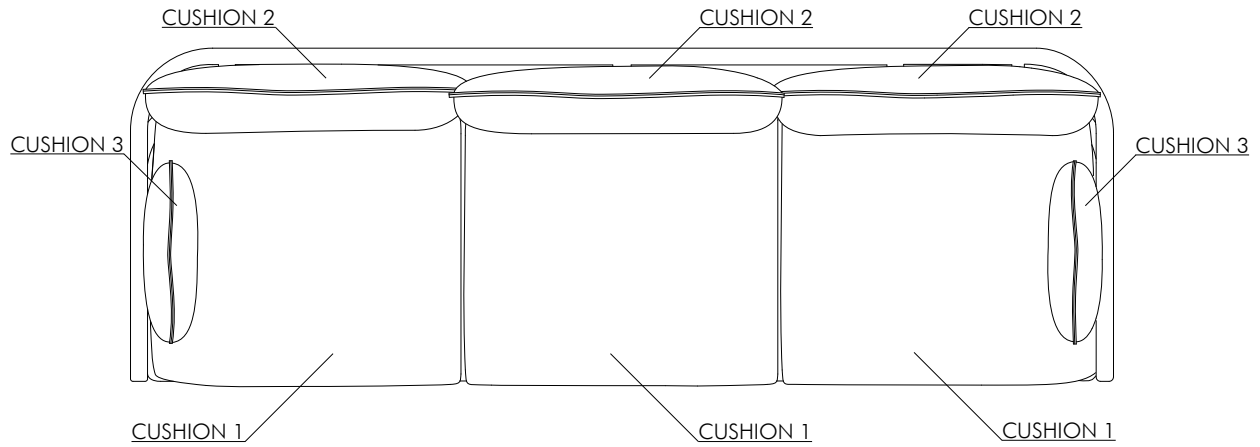


---

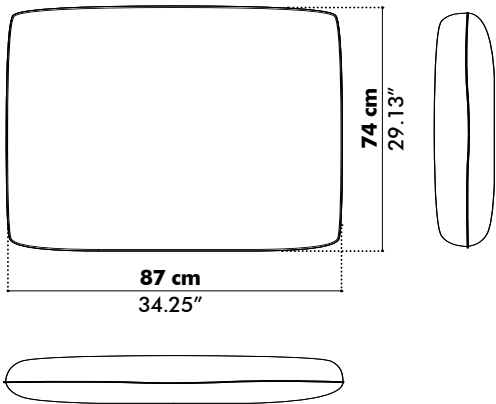
**DO 103**



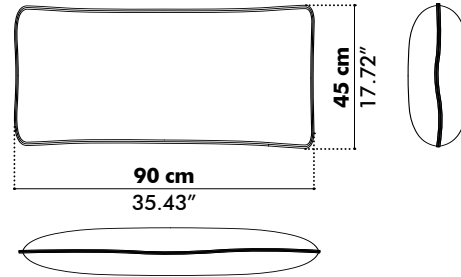
# DO 103 Cushions



## CUSHION 1



## CUSHION 2



## CUSHION 3 (Optional)

