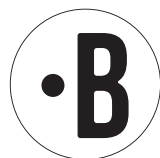
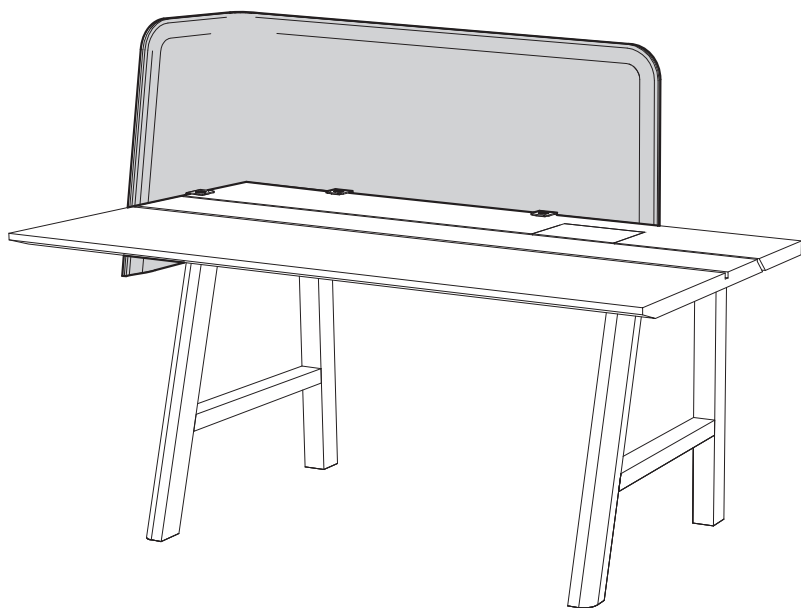


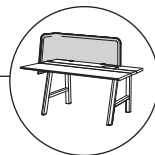
BuzziWrap Desk

Full | Left | Right

INSTALLATION MANUAL



BuzziWrap Desk Full | Left | Right



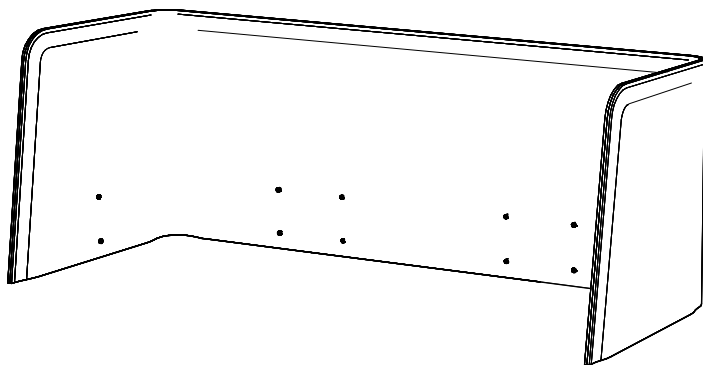
1 PERS. 

Excl.

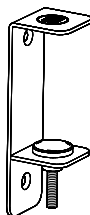


Incl.

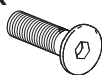
BuzziWrap Desk Full



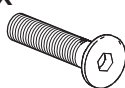
4x



8x



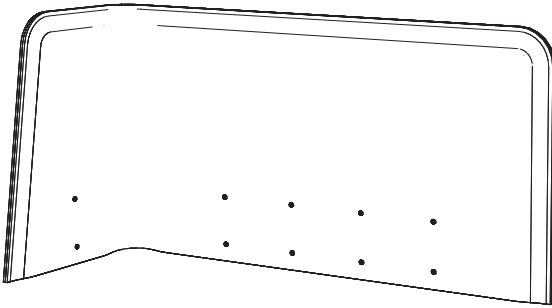
4x



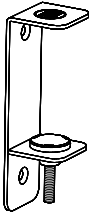
4x



BuzziWrap Desk Left



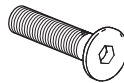
3x



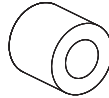
6x



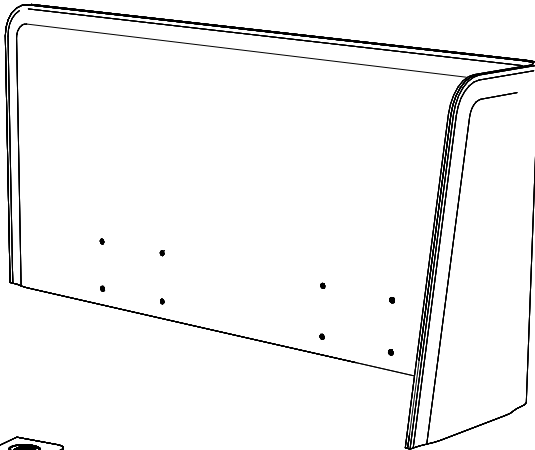
4x



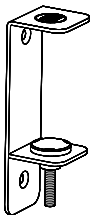
4x



BuzziWrap Desk Right



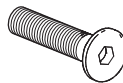
3x



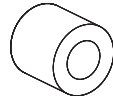
6x

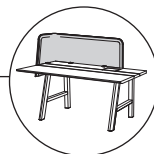


4x



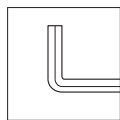
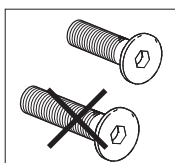
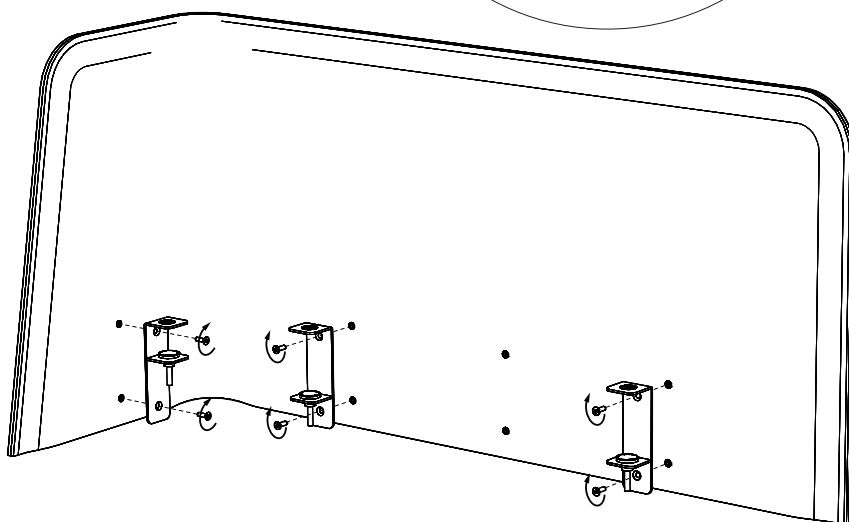
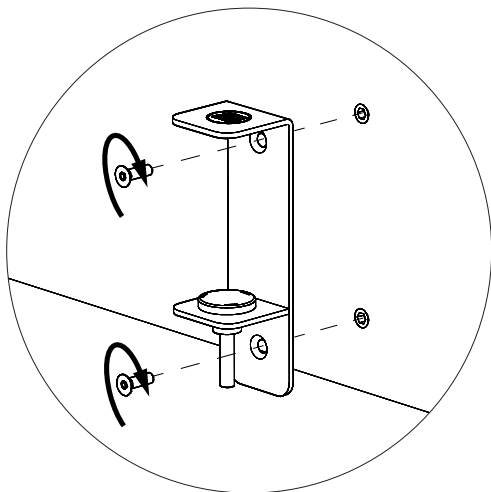
4x



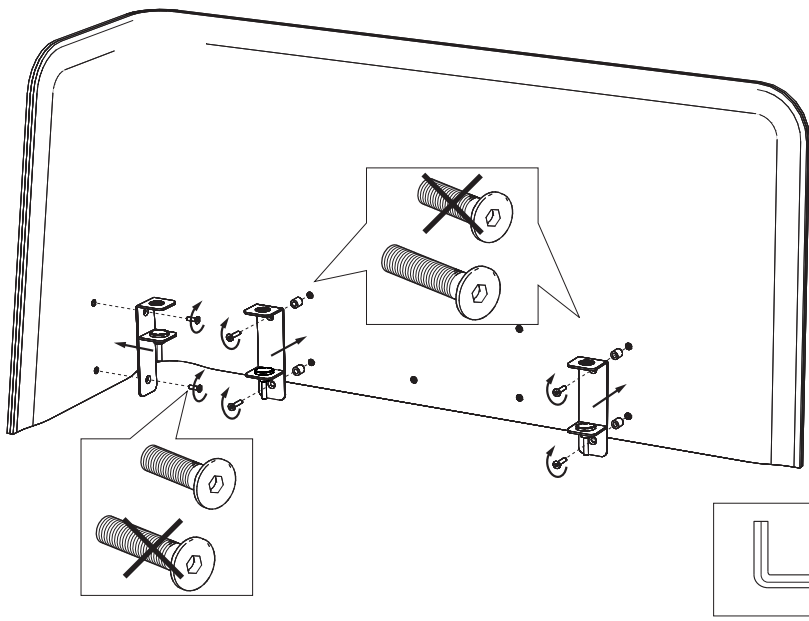
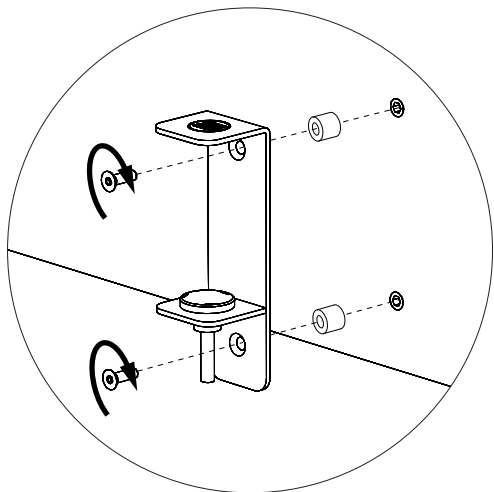


1 PERS.

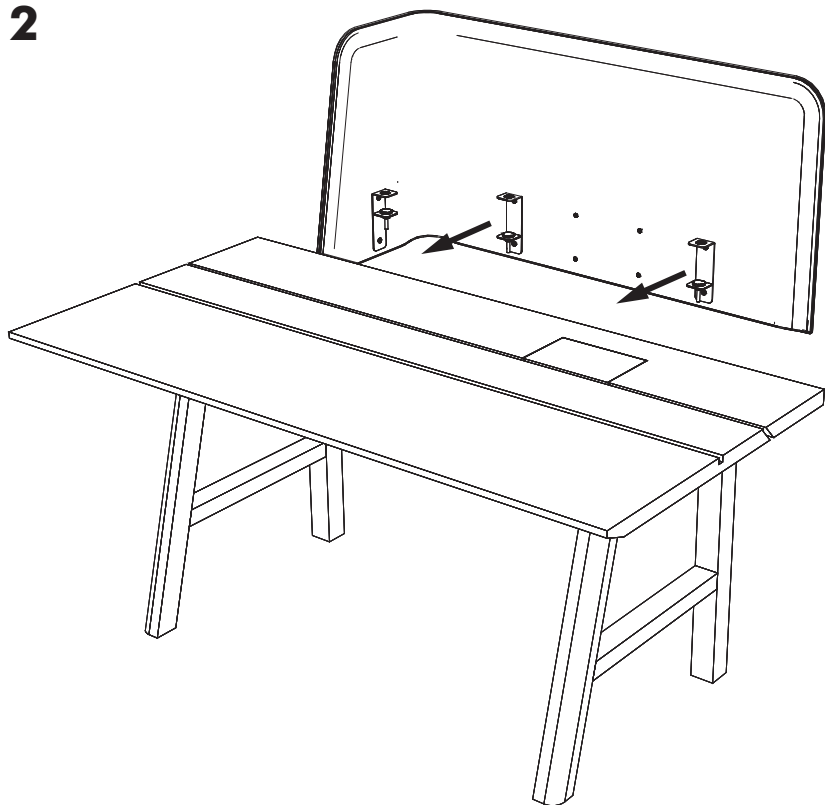
1A Please use the correct fix according your worktop thickness.



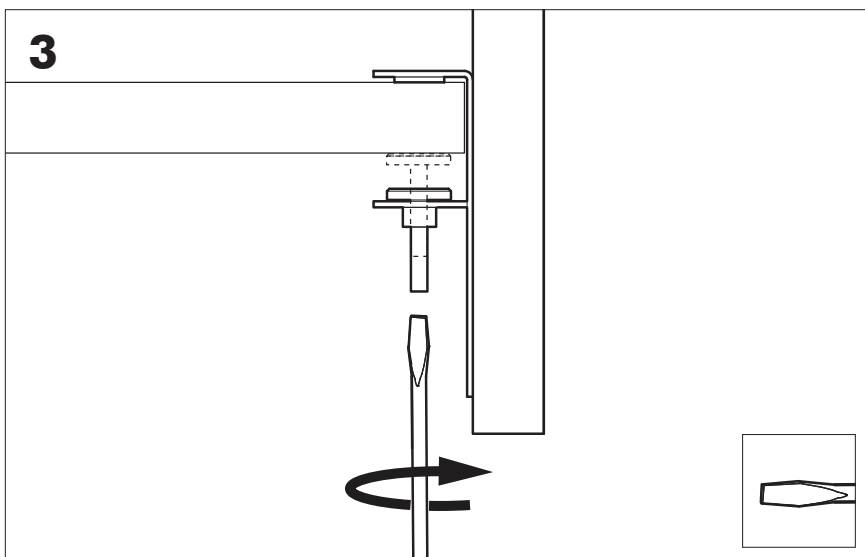
1B Please use the correct fix according your worktop thickness.
Additional distance holders can be mounted on front side to provide space for electrical cables etc.
(L 1,5 cm Ø 1,5 | L 0.59" Ø 0.59")



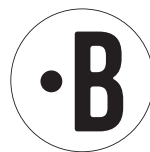
2



3



BuzziSpace
Groeningenlei 141
2550 Antwerp, Kontich
Belgium
☎ +32 (0)3 846 10 00
✉ info@buzzi.space
🌐 www.buzzi.space



Doc nr.: A-0000003396/2
Last update: 03/08/2020