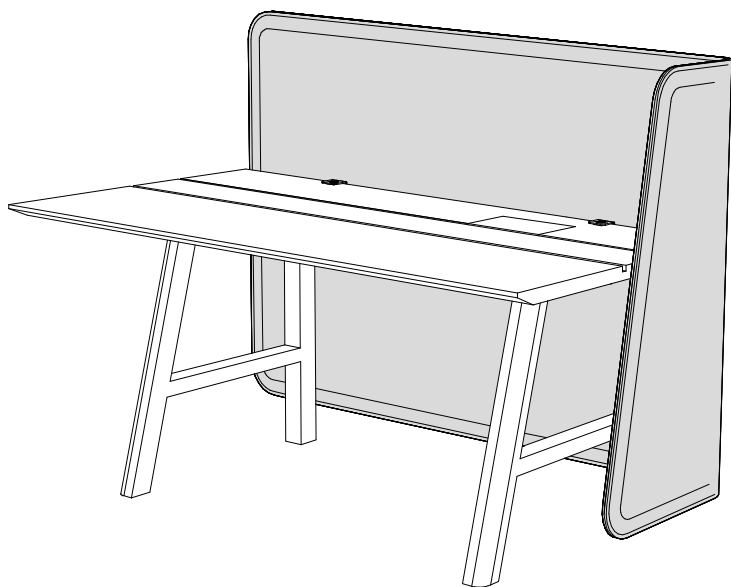


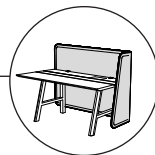
# BuzziWrap FrontDesk

## Desk Full | Left | Right

INSTALLATION MANUAL



# BuzziWrap FrontDesk Full | Left | Right



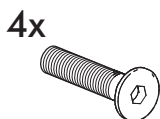
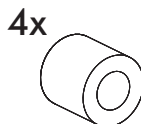
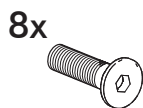
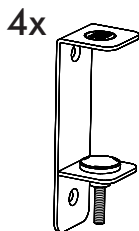
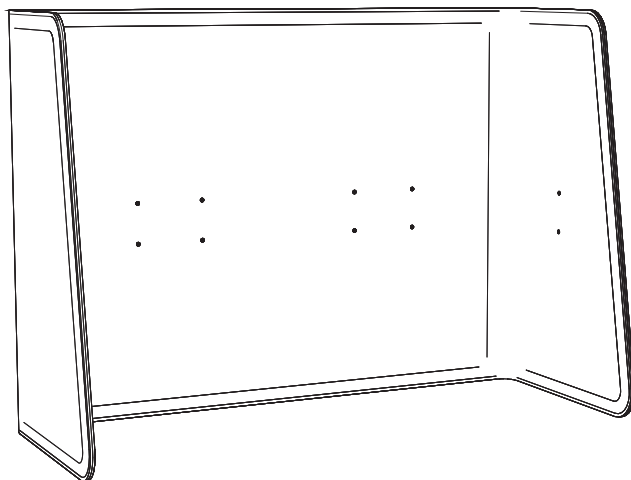
1 PERS. 

**Excl.**

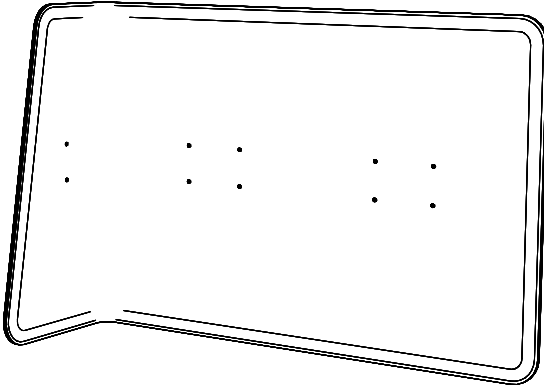


**Incl.**

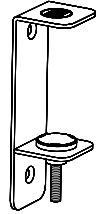
## BuzziWrap FrontDesk Full



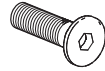
### BuzziWrap FrontDesk Left



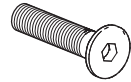
3x



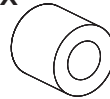
6x



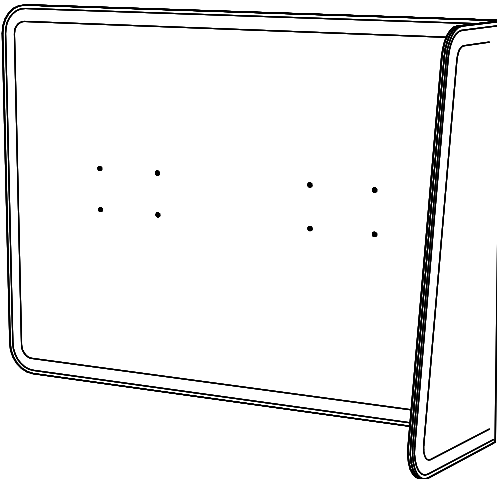
4x



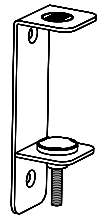
4x



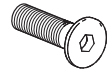
### BuzziWrap FrontDesk Right



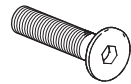
3x



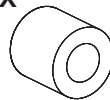
6x

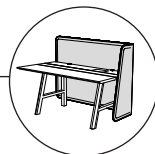


4x



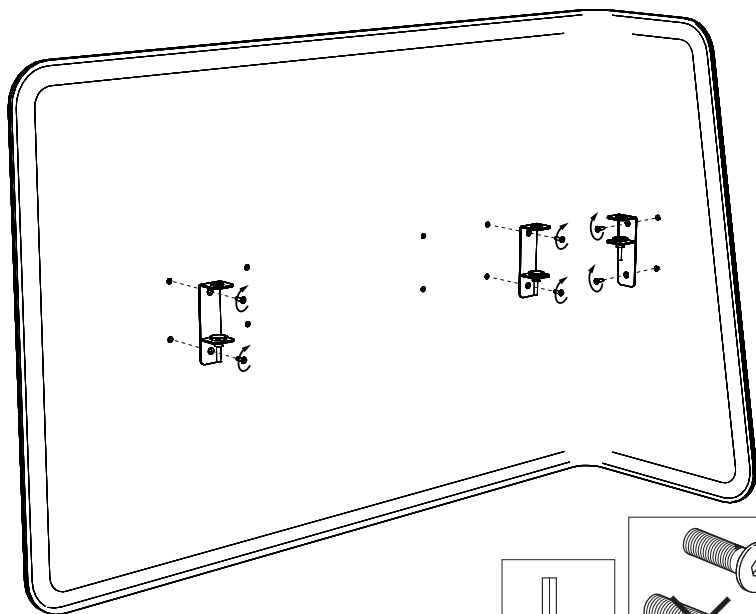
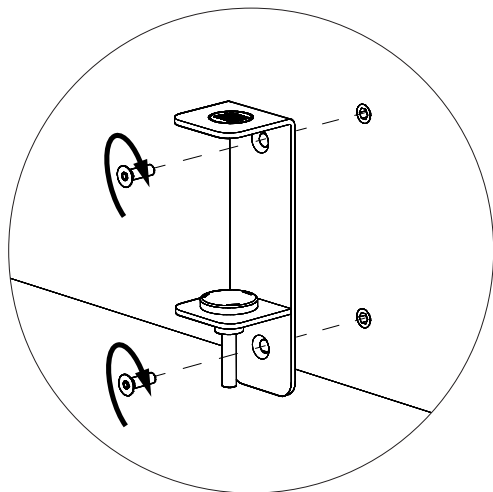
4x



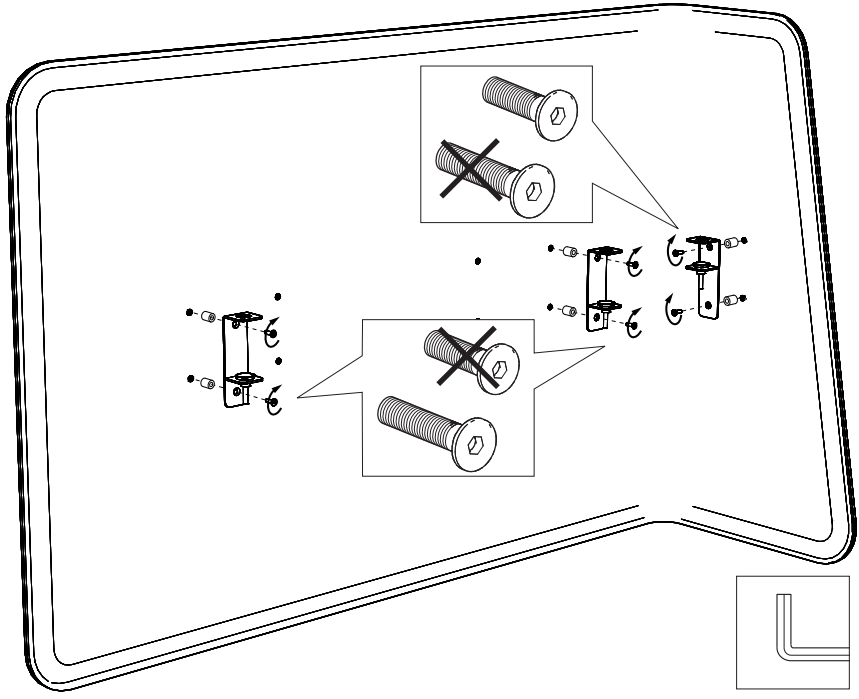
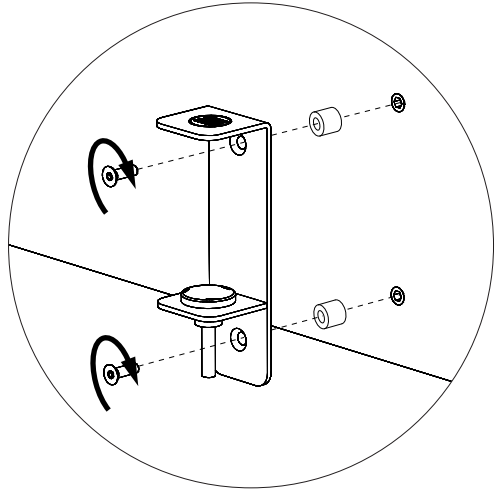


1 PERS. 

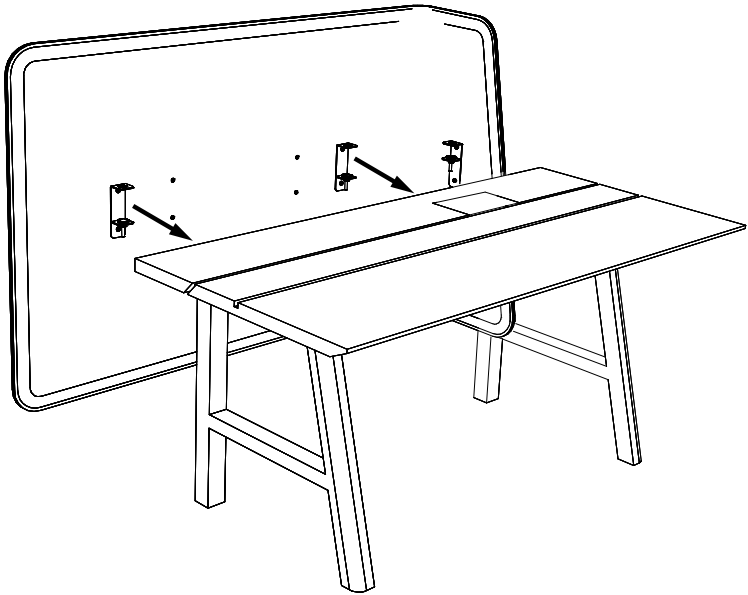
**1A** Please use the correct fix according your worktop thickness.



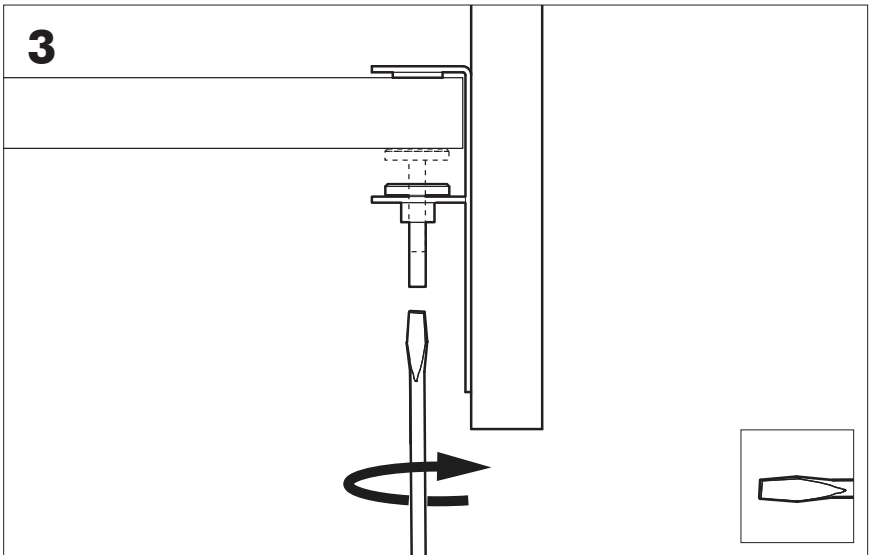
**1B** Please use the correct fix according your worktop thickness.  
Additional distance holders can be mounted on front side to provide space for electrical cables etc.  
(L 1,5 cm Ø 1,5 | L 0.59" Ø 0.59")



**2**

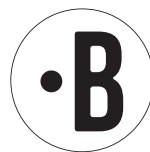


**3**





BuzziSpace  
Groeningenlei 141  
2550 Antwerp, Kontich  
Belgium  
☎ +32 (0)3 846 10 00  
✉ [info@buzzi.space](mailto:info@buzzi.space)  
🌐 [www.buzzi.space](http://www.buzzi.space)



Doc nr.: A-0000003606/2  
Last update: 30/07/2020